



14309

## TESSA CHAIR

Solid and inviting, the Tessa club chair will provide years of comfortable memories. Like all Vogel chairs, it's handcrafted with top-quality materials, from frame to filling and your choice of covering. The upholstery is meticulously finished with fine touches like pleating and piping that will ensure your chair stands the test of time. Finish off your all-time favourite lounging chair by ordering a matching ottoman.

FROM THE  
**TESSA COLLECTION**



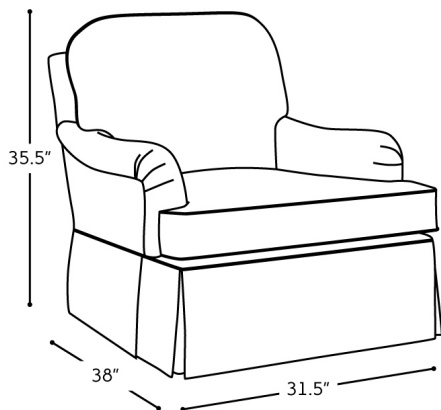
14309 CHAIR



14709 OTTOMAN

### FEATURES + CUSTOMIZATIONS

- Standard with feather and fibre blend back cushions
- Customize your comfort level – Firm, Soft, or Ultra-Lux
- Available as skirted or banded – please specify on your order
- Arm caps are available upon request – please specify on your order
- The frame is crafted from a combination of engineered and solid wood
- Crafted in Canada



SEAT DEPTH: 22.5" SEAT HEIGHT: 19" ARM HEIGHT: 22.75"