

12624

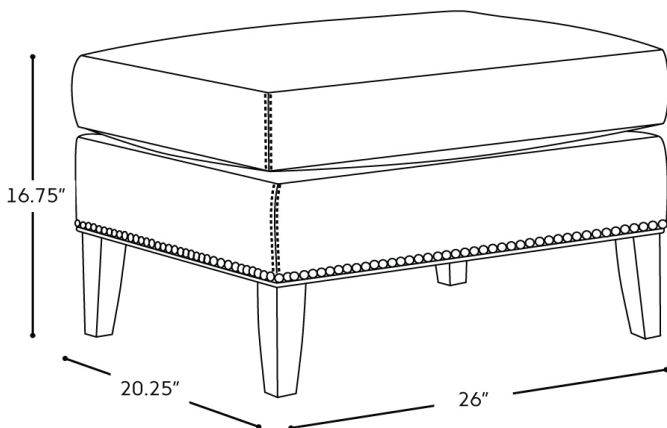
ELLIS OTTOMAN



The elegant Ellis ottoman is both sophisticated and comfy, with its clean classic lines and cushy top. Your task is to select the covering from hundreds of lovely fabrics, patterns, and colours. The choice of wood finishes is all yours, too, as is the metal nail head trim. All hand made by our master craftsmen to our highest standards, using only top-quality materials, your ottoman will be an exquisite addition to your home and will stand the test of time.

FEATURES + CUSTOMIZATIONS

- Standard with metal nail head trim as shown
- The frame is crafted from a combination of engineered and solid wood
- Crafted in Canada



FROM THE ELLIS COLLECTION



11624