



12128

OTTOMAN

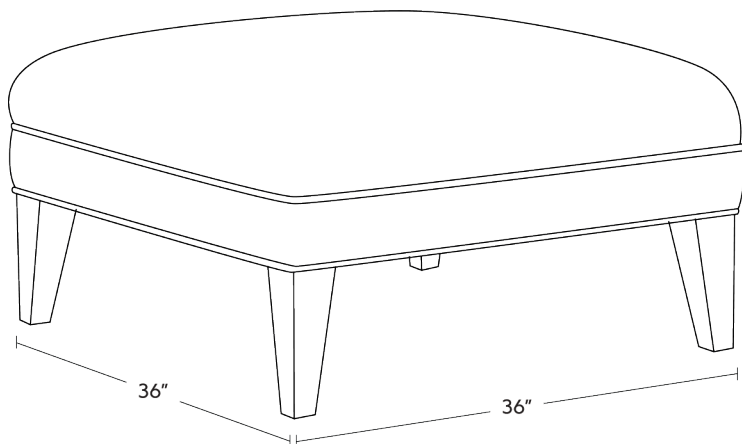
Truly your own custom-made ottoman. Choose any custom size, five leg styles, and some with the option of ferrules or casters. So, you have lots to personalize here, from size to leg style, upholstery and colour. You can even select leather! Tell us where you want it to go and together we'll customize your perfect ottoman.

FEATURES

- Decorative antiqued brass ferrules and/or casters are standard with legs A, B, C, and E
- Choose any custom width and depth
- Standard finished height for Legs A, B, C (all shipped standard with ferrules & casters): 15.5"
- Standard finished height for Leg D (no hardware option available for this leg): 15.5"
- Standard finished height for Leg E (shipped standard with ferrules & casters): 18"



LEG OPTIONS



HAVE IT YOUR WAY

Choose from a wide selection of:

- Covers
- Nail head trim
- Wood finishes