



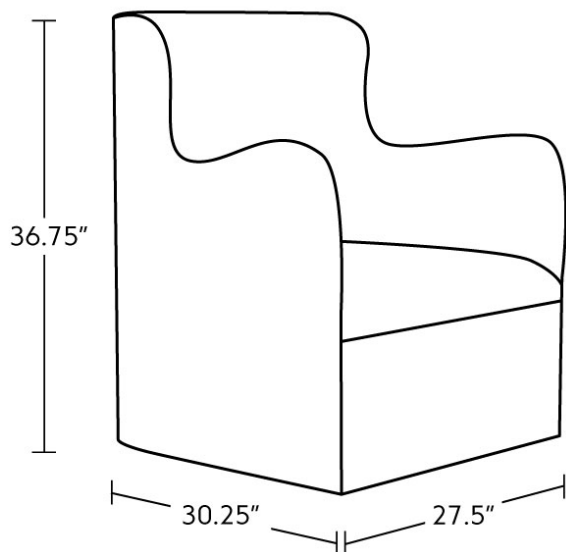
17107

HARPER SWIVEL GLIDER

A dramatic 360 view, Harper is equally sophisticated as it is approachable. It's appeal lies in all the details from it's soft curves accented with welt detailing to it's tight back and seat cushions. Combined with clean seams and a fluid design, Harper looks equally chic in any room of your home.

FEATURES

- Tight seat cushion with Qualux Foam
- Frame is crafted from a combination of engineered and solid wood
- Crafted in Canada



SEAT DEPTH: 20.5" SEAT HEIGHT: 19.5" ARM HEIGHT: 28.75"

HAVE IT YOUR WAY

Choose from a wide selection of:

- Covers
- Nail head trim
- Wood finishes